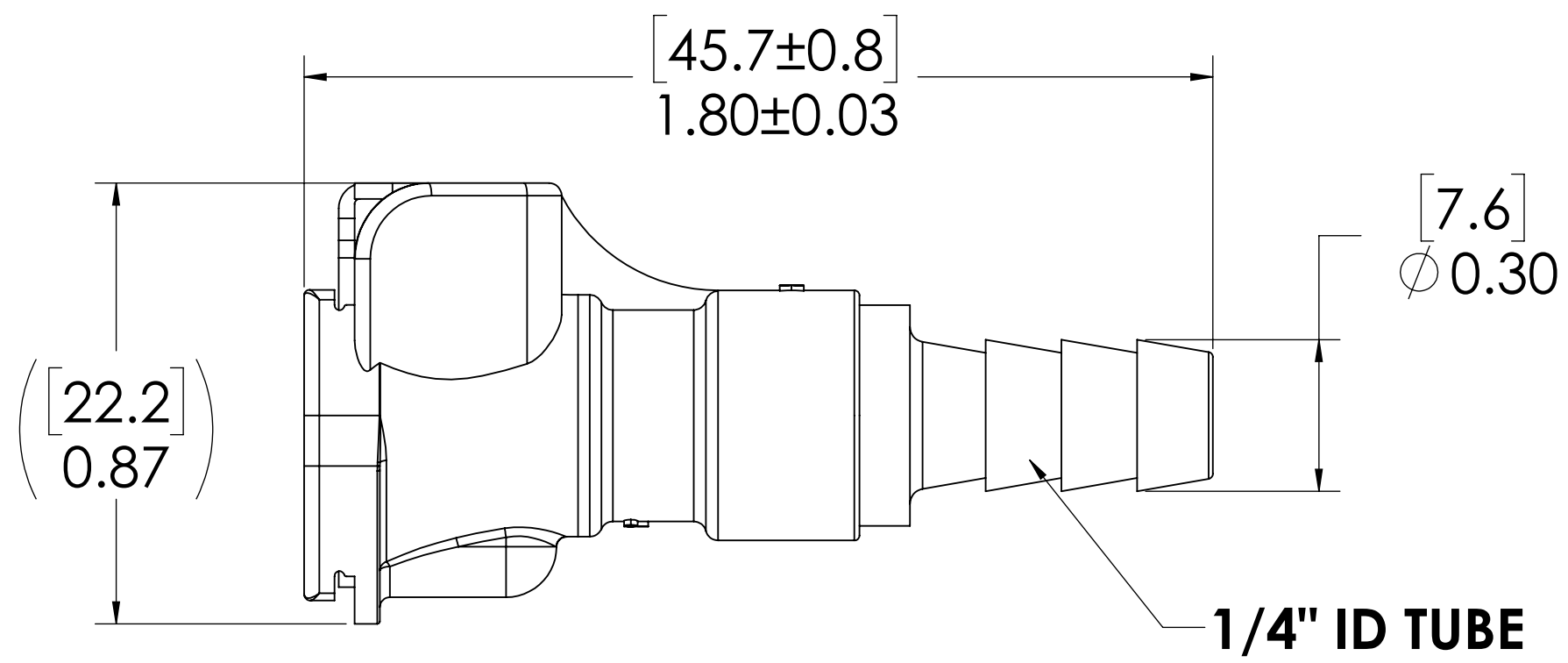
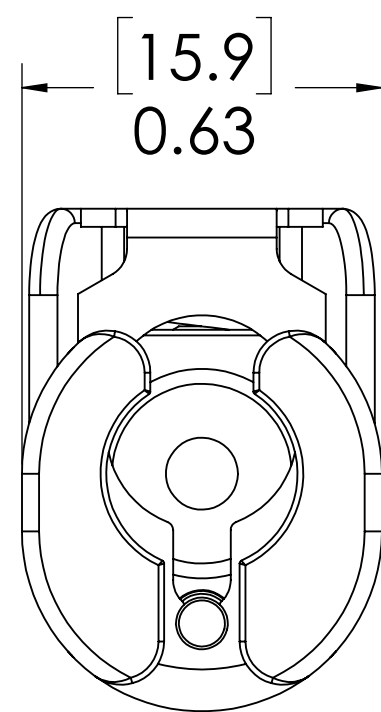
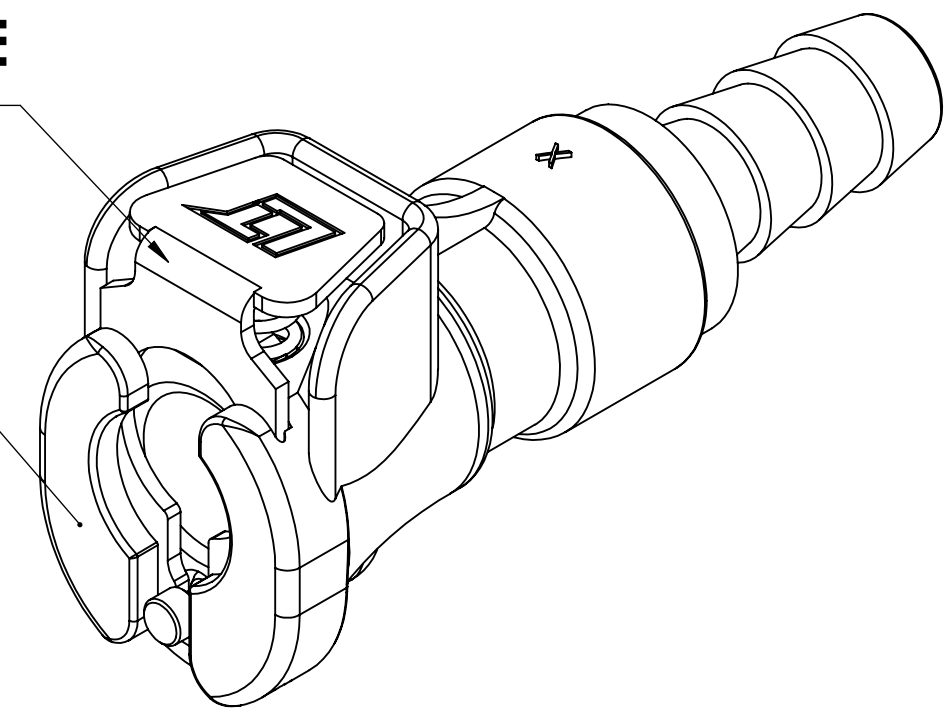


REVISIONS						
SHEET	ZONE	REV.	ECO	DESCRIPTION	DATE	APPROVED
1	ALL	A	50253	2017 FORMAT UPDATE	6/12/2018	HRC

**LATCH HARDWARE
(STAINLESS STEEL)**


**SOCKET,
(POLYPOPYLENE)**



NOTES:

1. MATERIAL: POLYPROPYLENE
2. COLOR: ALMOND

FOR REFERENCE ONLY

UNLESS OTHERWISE SPECIFIED: DIMENSIONS ARE IN INCHES TOLERANCES: FRACTIONAL ± 1/32 ANGULAR: MACH ± 0.5 BEND ± 2 ONE PLACE DECIMAL ± 0.1 TWO PLACE DECIMAL ± 0.01 THREE PLACE DECIMAL ± 0.005 TWO PLACE DUAL (mm) [± 0.12]	DRAWN	NAME	DATE	 PART NO: 20PP-S2-04MALD DESCRIPTION: LinkTech 20PP Series Straight Female, Non-valved, 1/4" HB, Molded Almond Color, Polypropylene	
	CHECKED	CGS	5/18/18		
	ENG APPR.				
	MFG APPR.				
PROPRIETARY AND CONFIDENTIAL THE INFORMATION CONTAINED IN THIS DRAWING IS THE SOLE PROPERTY OF LINKTECH LLC. ANY REPRODUCTION OR DISCLOSURE IN PART OR AS A WHOLE WITHOUT THE WRITTEN PERMISSION OF LINKTECH LLC IS STRICTLY PROHIBITED.	Q.A.			SIZE DWG. NO. REV C 20PP200201 A	
	COMMENTS:			SCALE: NTS WEIGHT: SHEET 1 OF 1	